



Buy it for looks. Buy it for life.®

# Specifications

*There is more than 1 version of this model.  
Page down to identify the version you have.*

## FAUCET DESCRIPTION

- Metal construction with chrome plated finish
- Inlet shanks will accept 3/8" ball nose connections


## OPERATION

- Mini blade style handles with hot and cold color indicators

## CARTRIDGE

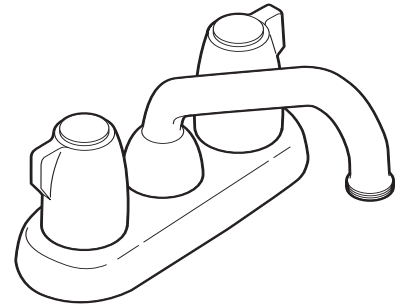
- 1224 cartridge design

## STANDARDS

- Designed and manufactured to meet ASME A112.18.1/CSA B-125.1 and all applicable requirements referenced therein
- Contains no more than 0.25% weighted average lead content
- **ADA**  for lever handles

## WARRANTY

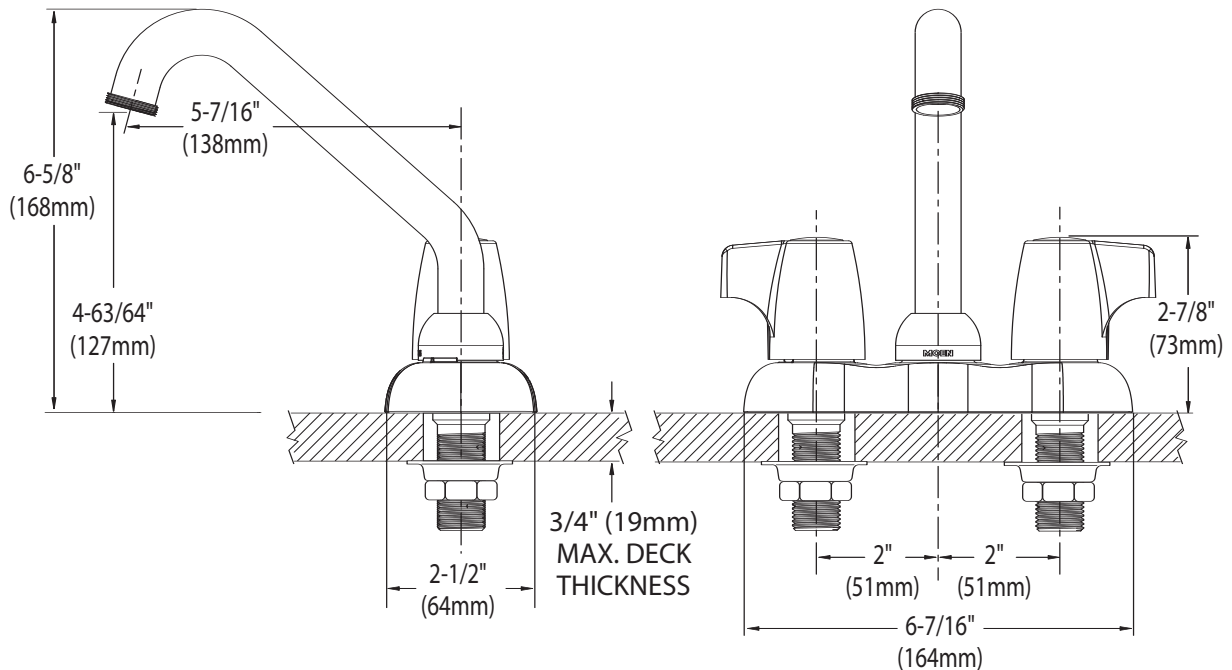
- Lifetime limited warranty against leaks, drips and finish defects



**MOEN®**  
**Two Handle Laundry Faucet**

**Model: 74998**

**NOTE:** Designed to be installed through  
2 - 1" min. dia. holes 4" on center



## CRITICAL DIMENSIONS

(DO NOT SCALE)



Buy it for looks. Buy it for life.®

# Specifications

## FAUCET DESCRIPTION

- Chrome plated metal construction


## OPERATION

- Small lever style

## CARTRIDGE

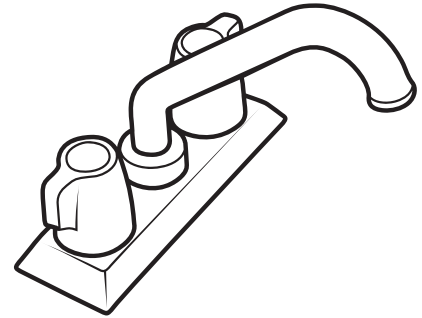
- 1224 cartridge design

## STANDARDS

- Designed and manufactured to meet ASME A112.18.1/CSA B-125.1 and all applicable requirements referenced therein
- **ADA**  for lever handles

## WARRANTY

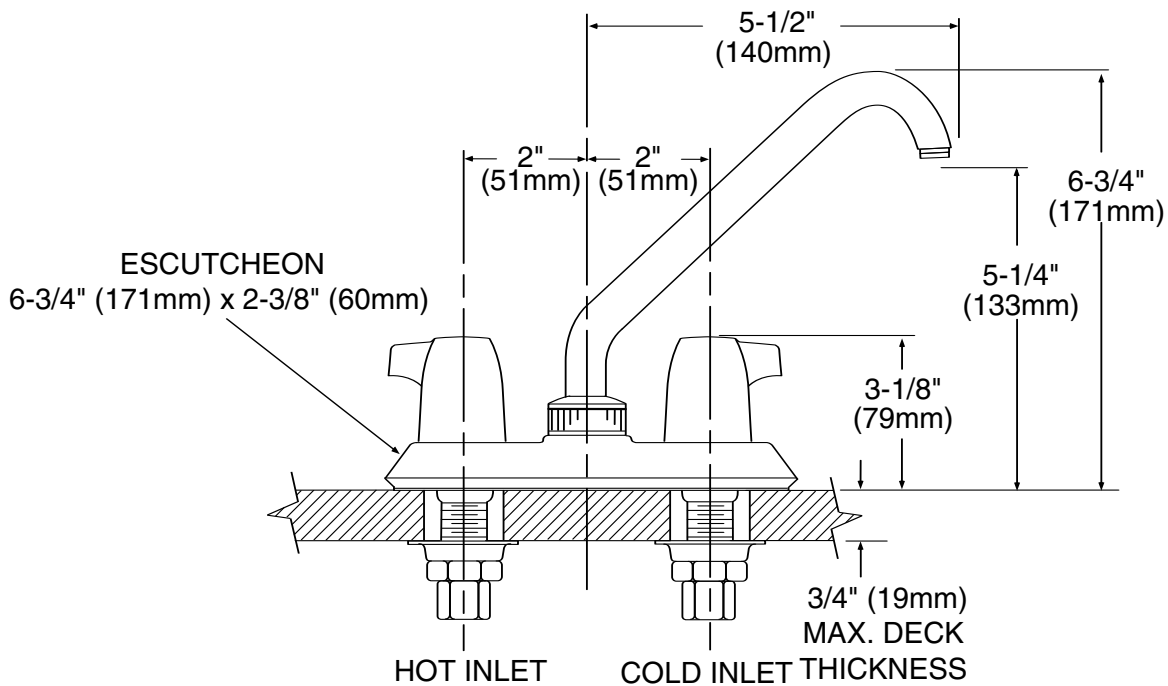
- Lifetime limited warranty against leaks, drips and finish defects



**MOEN®**  
**Two Handle Laundry Faucet**

**Model:** 74998

**NOTE:** DESIGNED TO INSTALL  
THRU 2 HOLES 1" (25mm) MIN. DIA.  
AND 4" (102mm) ON CENTER



## CRITICAL DIMENSIONS

(DO NOT SCALE)

FOR MORE INFORMATION CALL: 1-800-BUY-MOEN

[www.moen.com](http://www.moen.com)